



TLP 1000MV and TLP 1000TV • Setup Guide

IMPORTANT:
Refer to www.extron.com for the complete TLP 1000 Series user guide before connecting the product to the power source.

Overview

The Extron TLP 1000MV (wall-mounted) and TLP 1000TV (desk-mounted) TouchLink™ Panels provide simple and versatile configuration and control for a range of IP Link® control systems. Graphic and text objects are displayed on the screen. These objects have system control functions associated with them and the touch overlay allows you to activate or regulate those functions.

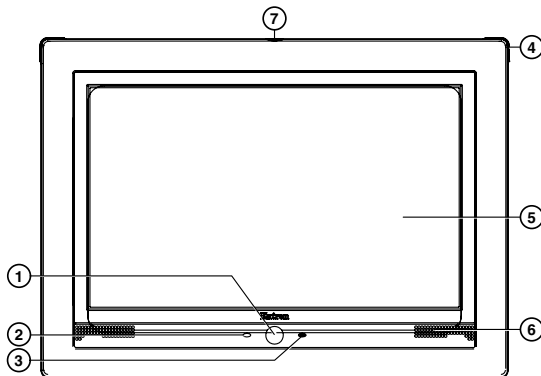
These touchpanels communicate through an Ethernet connection to a configurable IP Link control processor. Video and audio input is provided by a twisted pair cable connected to an MTP transmitter.

NOTE: The network output must be connected to a network switch, hub, or router that is connected to an Ethernet LAN or the Internet. An Extron IP Link controller must also be connected to the same network. Suggested models include IPL T S series (for example, IPL T S4), IPL 250, IPL T CR48, IPL T SF1244, or IPCP 505.

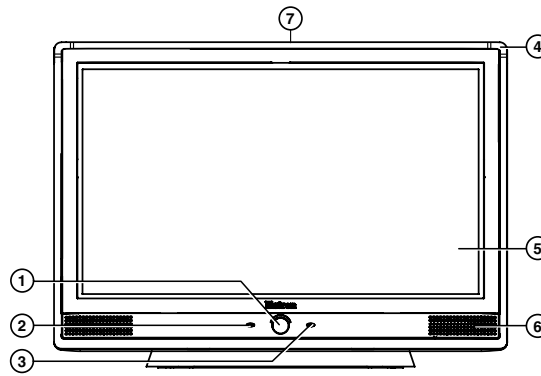
Extron strongly recommends that power is provided by a Power over Ethernet (PoE) power supply.

This guide provides basic instructions for experienced installers to mount and perform initial configuration on the TLP 1000 series of touchpanels. Full instructions and reference material can be found in the *TLP 1000MV and TLP 1000TV User Guide*, which is available on the Extron website (www.extron.com).

Front Panel Features



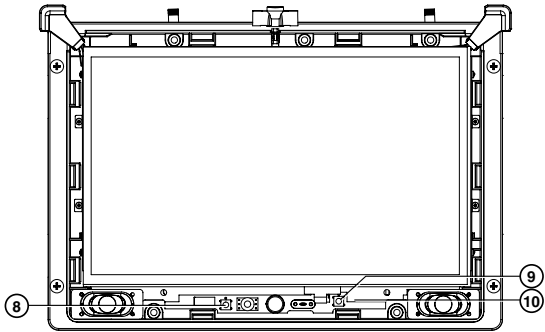
Extron TLP 1000MV



Extron TLP 1000TV

- ① **Motion Sensor** — when no motion has been detected for a user-defined period of time, the unit goes into sleep mode. When motion is detected by the sensor, the screen display is restored and active.
- ② **Microphone** — is located below the LCD screen.
- ③ **Connection status LED** — is unlit during normal operation. The LED blinks red if the connection to the IP Link controller is lost.
- ④ **Programmable LEDs** — one on each top corner can be programmed to provide system feedback. They light red or green and can blink or light solid.
- ⑤ **LCD screen** — has a 1024x600 resolution with a touch overlay. Extron software is used to design and configure a graphic user interface to display buttons, text, or icons, which have user-defined functions associated with them.
- ⑥ **Speakers** — Two speakers placed under the screen, on either side of the panel, provide audible feedback for the user.
- ⑦ **Light Sensor** — (can only be seen from above the unit) monitors ambient light level and adjusts screen brightness.

TLP 1000MV Reset Buttons and LED

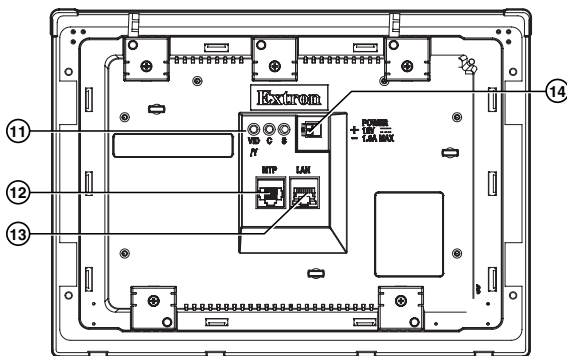


Extron TLP 1000MV

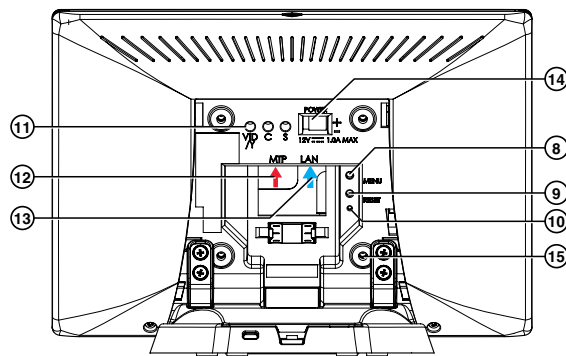
Use the Extron pry tool to remove the front faceplate of the TLP 1000MV:

- ⑧ **Menu button** — activates the **on-screen menus** for calibrating the unit (see page 3).
- ⑨ **Reset button** — allows the unit to be reset in any of four different modes (see “**Reset Modes**” on page 4).
- ⑩ **Reset LED** — provides feedback about the reset status when the user presses the reset button (see “**Reset Modes**” on page 4).

Rear Panel Features



Extron TLP 1000MV



Extron TLP 1000TV

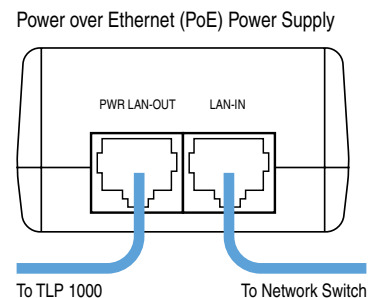
- ⑧ **(Menu button)**, ⑨ **(Reset button)**, and ⑩ **(Reset LED)** — see “TLP 1000MV Reset Buttons and LED” above.
- ⑪ **MTP Signal Adjustments** — Three MTP signal adjustments are available for S-video luminance gain (VID/Y), S-video chrominance gain (C), and sharpness (S). For composite video signals, the gain is controlled by the VID/Y adjustment.
- ⑫ **MTP Input (optional)** — A twisted pair cable, terminated with an RJ-45 connector, provides video and audio input from an Extron MTP transmitter. For the TLP 1000TV, the MTP port is in the top surface of the recessed area, indicated by the red arrow.

CAUTION: Ensure the MTP cable is connected to the MTP input and the network cable is connected to the Network input. The voltages carried by the cables is different and connecting the MTP cable to the Network input will damage the touchpanel unit.

- ⑬ **Network and Power over Ethernet Connector** — A twisted pair cable, terminated with an RJ-45 connector, provides network connection. For the TLP 1000TV, the LAN port is in the top surface of the recessed area, indicated by the blue arrow.

Extron recommends using the Power over Ethernet (PoE) power supply (provided). Use straight-through cables to connect the LAN-IN port to a network switch and the PWR LAN-OUT port to the LAN port of the touchpanel (see the figure to the right). Connect the IEC power cord to a convenient 100 VAC to 240 VAC, 50-60 Hz power source.

An Extron IP Link control interface must also be connected to the same network domain as the TouchLink Panel. See the note on page 1 for a list of suggested models.



CAUTION: Do not connect any power supply before reading the Cautions about power supplies in the “Panel Features” section of the *TLP 1000MV and TLP 1000TV User Guide*.

- ⑭ **Power connector (optional)** — Extron recommends using the PoE power supply (provided). As an alternative, you may choose to connect the two pole, 3.5 mm captive screw connector from the 12 VDC, 1.0 A power supply (not provided) to the power supply socket on the rear panel.
- ⑮ **VESA mounting holes (TLP 1000TV only)** — For use with the Extron LPVM-1 (part number **60-1099-02**). For complete mounting options of both the TLP 1000MV and TLP 1000TV, see the *TLP 1000MV and TLP 1000TV User Guide*.

Initial Configuration

Before use, configure the touchpanel, using the on-screen menus.

1. Press the Menu button once. (See “[TLP 1000MV Reset Buttons and LED](#)” for the TLP 1000MV or “[Rear Panel Features](#)” for the TLP 1000TV.) The Main menu screen opens (see figure at right).
2. Touch an on-screen button to highlight and select that option (the button turns green with a yellow border).
3. Use the **Up** and **Down** buttons to adjust the value. Some options have a single button and toggle between **Off** and **On** when the button is pressed.

There are five different screens (**Main**, **Volume**, **Time**, **Network**, and **Video**) that can be selected by pressing the appropriate button at the left side of the screen. There is also an **Exit** button at the bottom left corner of the screen for leaving the menus.

Use the screens to adjust the following options (for more information, see the *TLP 1000MV and TLP 1000TV User Guide*).

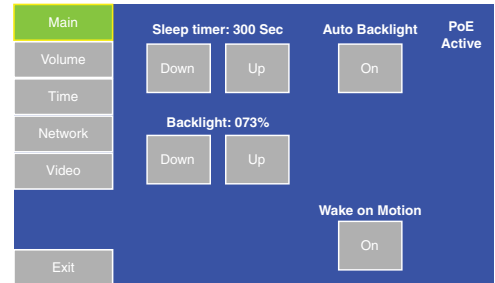
Main — Adjusts the Sleep timer, Backlight, Auto Backlight, and Wake on Motion functions. The screen also provides information about the PoE status.

Volume — Adjusts the Master, Click, Sounds, and Line In volume settings.

Time — Sets the correct time and date.

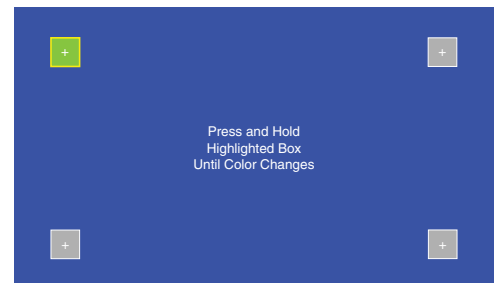
Network — Sets the IP address and the subnet mask, and enables or disables Dynamic Host Configuration Protocol.

Video — Provides a small video preview window and the controls to adjust the video contrast, color, brightness, and tint.



Calibration Menu

1. Press the Menu button a second time to open the calibration-screen. (See “[TLP 1000MV Reset Buttons and LED](#)” for the TLP 1000MV or “[Rear Panel Features](#)” for the TLP 1000TV.) The on-screen button in the top left corner is highlighted.
2. Press the highlighted button until it turns gray and a new button is highlighted. When all four points have been calibrated, the screen reopens to the Main Screen.
3. Press **Exit** to close the on-screen menus.
4. If necessary (for the TLP 1000MV), reattach the faceplate.



Mounting Options

TLP 1000MV

- **Wall-mounting** — using the Extron BB 1000M back box (part number **70-887-01**) or the Extron EWB 1000 wall box (part number **70-950-02**), either of which must be purchased separately. Follow the instructions provided with the kit. The unit may also be mounted directly to the wall without a kit, as described on page 4.
- **Furniture-mounting** — as described on page 4.
- **Rack-mounting** — using the RM 1000M kit (part number **70-886-01**), which must be purchased separately. Follow the instructions in the user guide provided with the kit.

TLP 1000TV

- **Desktop-mounting** — by standing the unit on a suitable surface. For added security, the unit may be attached to the desktop, using two screws, as described in the *TLP 1000MV and TLP 1000TV User Guide*.

The TLP 1000TV can also be mounted using the Extron SMA-1 Swivel-Mount Adapter (part number **70-747-01**), which must be purchased separately. Follow the instructions provided with the kit and the *TLP 1000MV and TLP 1000TV User Guide*.

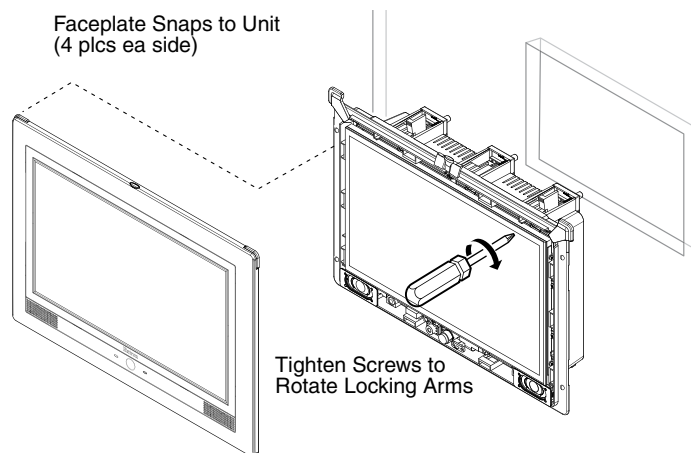
- **VESA-mounting** — using the D-type (75 x 75 mm) mounting pattern. The Extron LPVM-1 kit (part number **60-1099-02**) is optional and must be purchased separately. Follow the instructions provided with the kit. To VESA-mount the TLP 1000TV, the base must be removed from the unit, as described in the *TLP 1000MV and TLP 1000TV User Guide*.

TLP 1000MV and TLP 1000TV • Setup Guide (Cont'd)

Wall-Mounting or Furniture-Mounting the TLP 1000MV

To mount the TLP 1000MV directly into a wall, follow these steps. The steps will be similar if the unit is mounted in furniture (such as a podium or table).

1. Use the template provided to mark the wall at a suitable location and cut a hole 10.06 inches (25.55 cm) wide x 6.98 inches (17.73 cm) high.
2. Unpack the TLP 1000MV and remove the faceplate.
3. Ensure all the locking arms are flush with the unit and that the TLP 1000MV can fit into the hole. If necessary, use a rasp or a coarse file to enlarge the hole.
4. Run the network and MTP cable connections inside the wall to the hole, leaving enough slack in the cables to connect them to the back of the TLP 1000MV.
5. Plug the cables into the rear panel connectors (see page 2).
 - Connect the LAN port to the PoE power supply and network.
 - Connect the RJ-45 MTP input.
 - Optional: Extron recommends using the Power over Ethernet power supply provided. However, you may use the LAN port only as a network connection and connect a 12 VDC, 1.0 A power supply (not provided) to the 2-pole captive screw power input.
6. Push excess cables into the wall cavity.
7. Ensure the five locking arms (three at the top and two at the bottom) are flush with top and bottom of the TLP 1000MV and fit the touchpanel into the hole.
8. Use a Phillips head screwdriver to tighten the screws for the locking arms. As the screws tighten, the locking arms rotate behind the wall and hold the unit in place. Do not overtighten the screws as this can damage the catches or the wall.
9. If required, perform the initial calibration (see page 3).
10. Replace the faceplate by pressing the catches on the faceplate into the corresponding holes on the front of the panel.



Reset Modes

The touchpanels have four reset modes: Factory Firmware Mode, Run or Stop Events Mode, Reset All IP Settings Mode, and Reset Factory Defaults Mode. These modes can be initiated by pressing the reset button (see “[TLP 1000MV Reset Buttons and LED](#)” for the TLP 1000MV or “[Rear Panel Features](#)” for the TLP 1000TV). For full information about these different modes, see the *TLP 1000MV and TLP 1000TV User Guide*.

Screen Design and Configuration

Use Extron GUI Configurator (version 1.2 or later) to design the graphical user interface that will appear on the TouchLink panel. Use Extron Global Configurator (version 3.1 or later) to assign functions to the elements of the graphical user interface. For complete information about these software programs, see the help file of the appropriate program.

Extron USA - West Headquarters	Extron USA - East	Extron Europe	Extron Asia	Extron Japan	Extron China	Extron Middle East
+800.633.9876 Inside USA/Canada Only	+800.633.9876 Inside USA/Canada Only	+800.3987.6673 Inside Europe Only	+800.7339.8766 Inside Asia Only	+81.3.3511.7655 +81.3.3511.7656 FAX	+400.883.1568 Inside China Only	+971.4.2991800 +971.4.2991880 FAX
+1.714.491.1500 +1.714.491.1517 FAX	+1.919.863.1794 +1.919.863.1797 FAX	+31.33.453.4040 +31.33.453.4050 FAX	+65.6383.4400 +65.6383.4664 FAX		+86.21.3760.1568 +86.21.3760.1566 FAX	